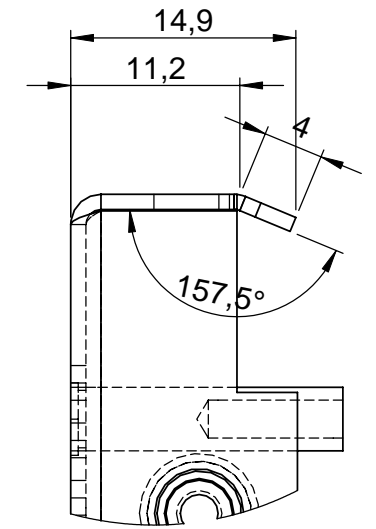
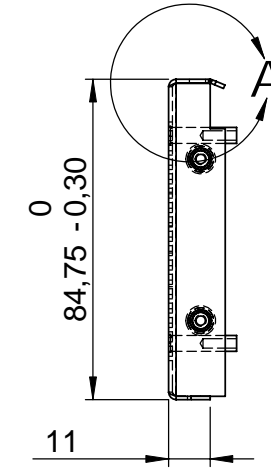
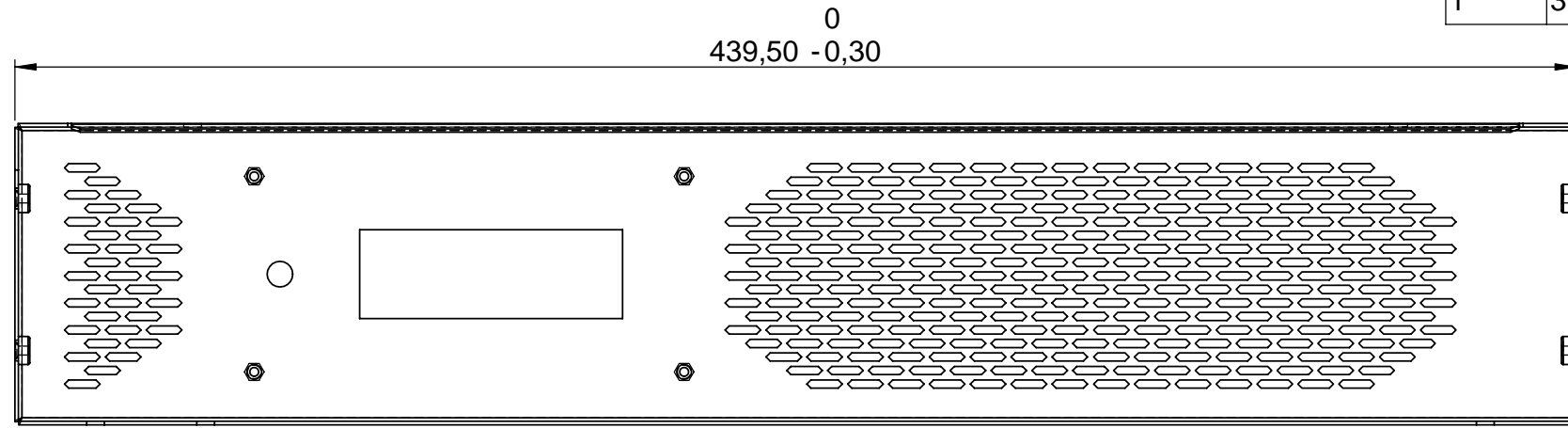
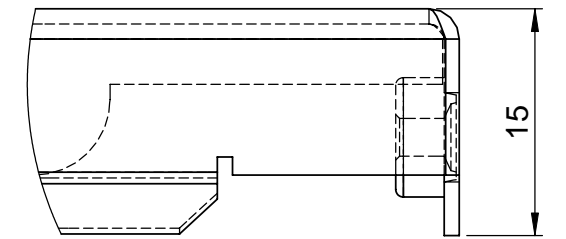
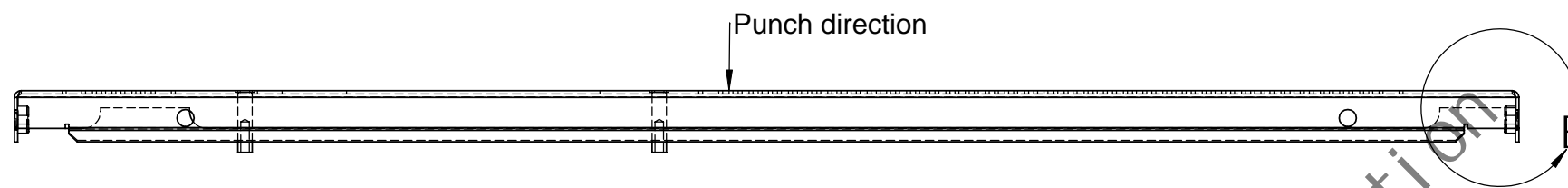


Parts List - Single part

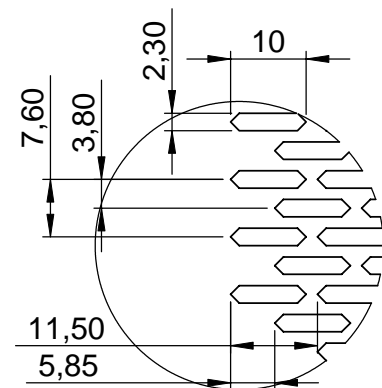
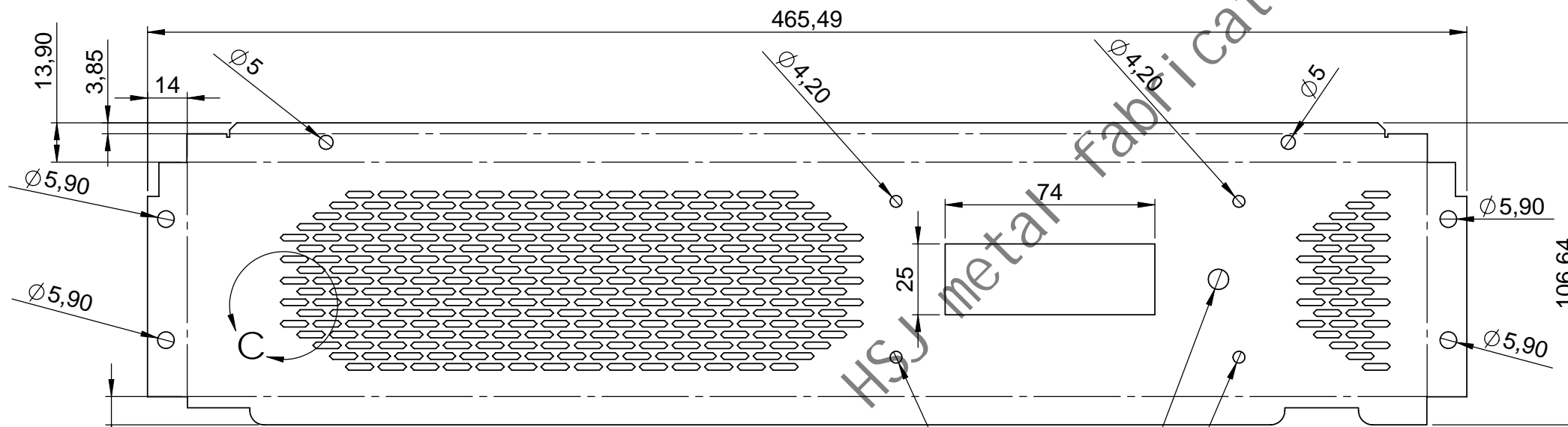
Qty.	Number	File Name	Material	Thickness
1	3DP 30859	Front panel fixed	St	1



DETAIL A
SCALE 2 : 1



DETAIL B
SCALE 2 : 1



DETAIL C
SCALE 1 : 1

材料：1mm钢
哑光黑色喷
粉

公差

3	4		ARB_M3
2	4		PBSO M3x18
1	1	3DP 30859	Front panel fixed
Item No.	Qty.	Number	File Name
	数量		Parts List 产品列表

Date:	04.06.2010	Appd.	
Surface treatment:	EP-0301-4950327	Tolerance:	NS-ISO 2768 M
Scale:		Scale:	1:2

Front panel fixed

Rev.	Modification	Date	Sign.
REVISIONS			

Part No.	3DP 30859	Repl. for		File Path: I:\SolidWorks\
				Prod Path:k:\3DP\MW2



昊盛嘉

HSJ metal fabrication